

3A 150KHz 40V Buck DC to DC Converter

XL1507

Features

- Wide 4.5V to 40V Input Voltage Range
- 5V and adjustable versions
- Output Adjustable from 1.23V to 37V
- Maximum Duty Cycle 100%
- Minimum Drop Out 1.5V
- Fixed 150KHz Switching Frequency
- 3A Constant Output Current Capability
- Internal Optimize Power Transistor
- High efficiency
- Excellent line and load regulation
- TTL shutdown capability
- EN pin with hysteresis function
- Built in thermal shutdown function
- Built in current limit function
- Built in second current limit function
- Available in TO252-5L package

Applications

- LCD Monitor and LCD TV
- Digital Photo Frame
- Set-up Box
- ADSL Modem
- Telecom / Networking Equipment

General Description

The XL1507 is a 150 KHz fixed frequency PWM buck (step-down) DC/DC converter, capable of driving a 3A load with high efficiency, low ripple and excellent line and load regulation. Requiring a minimum number of external components, the regulator is simple to use and include internal frequency compensation and a fixed-frequency oscillator.

The PWM control circuit is able to adjust the duty ratio linearly from 0 to 100%. An enable function, an over current protection function is built inside. When second current limit function happens, the operation frequency will be reduced from 150KHz to 50KHz. An internal compensation block is built in to minimize external component count.

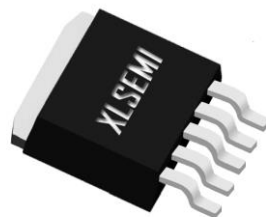


Figure1. Package Type of XL1507 (TO252-5L)

Pin Configurations (TO252-5L)

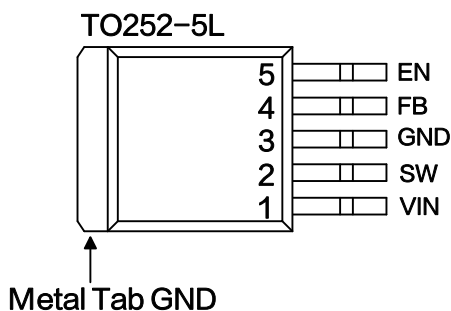


Figure2. Pin Configuration of XL1507 (Top View)

Table 1 Pin Description

| Pin Number | Pin Name | Description |
|------------|----------|--|
| 1 | VIN | Supply Voltage Input Pin. XL1507 operates from a 4.5V to 40V DC voltage. Bypass Vin to GND with a suitably large capacitor to eliminate noise on the input. |
| 2 | SW | Power Switch Output Pin (SW). Output is the switch node that supplies power to the output. |
| 3 | GND | Ground Pin. Care must be taken in layout. This pin should be placed outside of the Schottky Diode to output capacitor ground path to prevent switching current spikes from inducing voltage noise into XL1507. |
| 4 | FB | Feedback Pin (FB). Through an external resistor divider network, Feedback senses the output voltage and regulates it. The feedback threshold voltage is 1.23V. |
| 5 | EN | Enable Pin. Drive EN pin low to turn on the device, drive it high to turn it off. Floating is default low. |

3A 150KHz 40V Buck DC to DC Converter

XL1507

Function Block

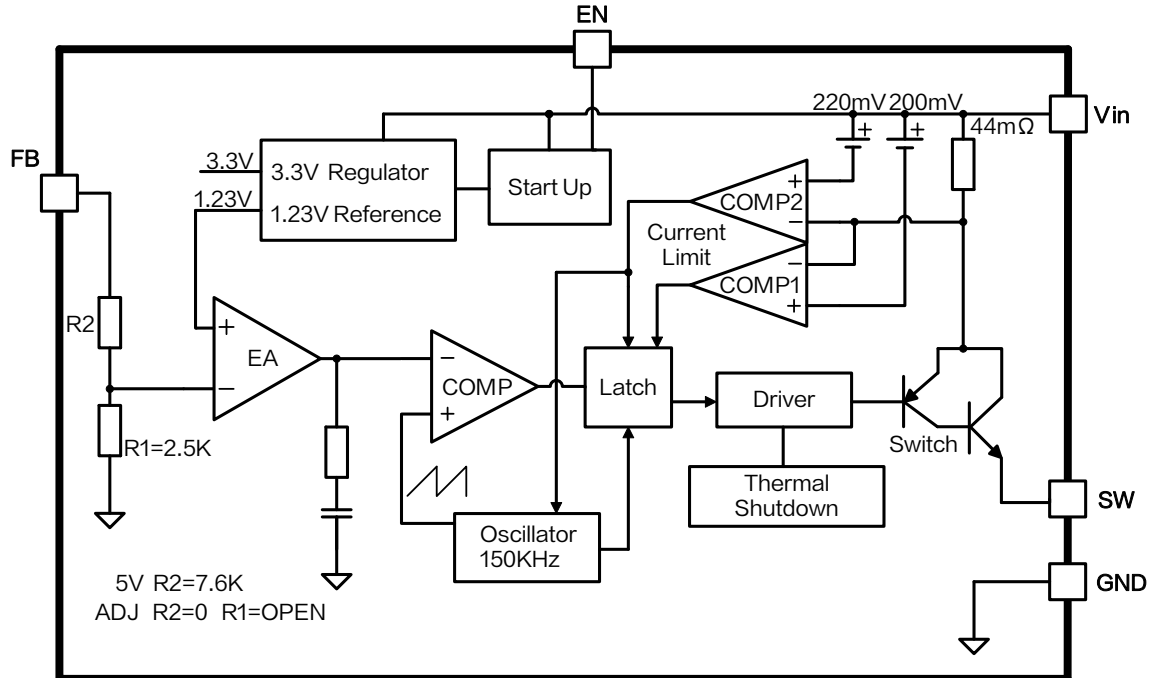


Figure3. Function Block Diagram of XL1507

Typical Application Circuit

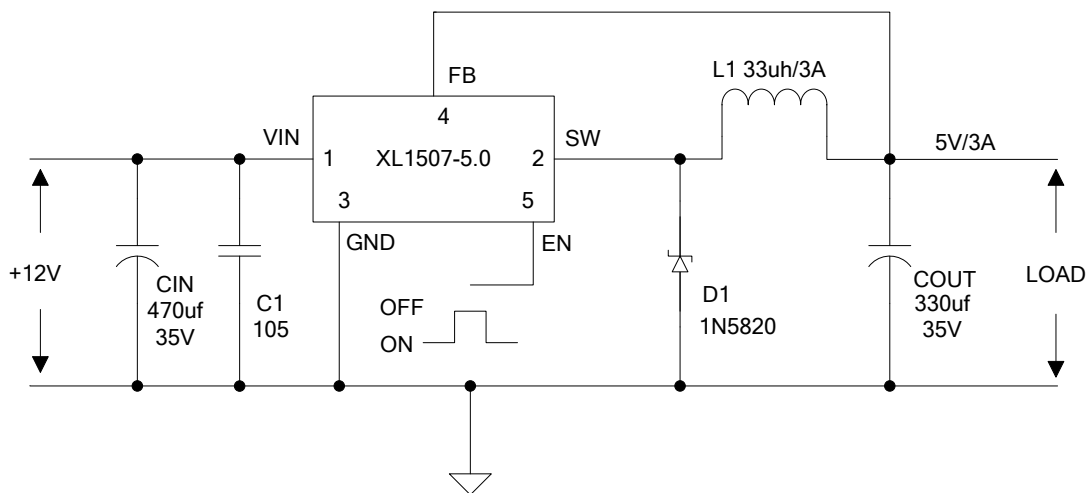
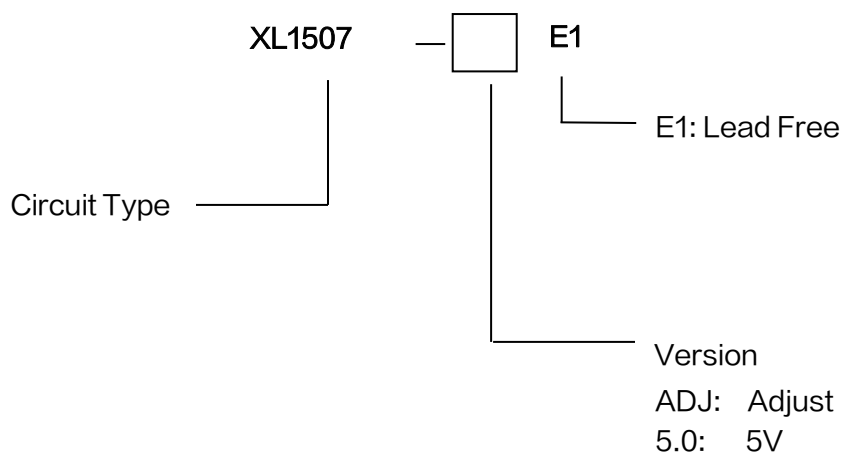


Figure4. XL1507 Typical Application Circuit 12V-5V/3A

3A 150KHz 40V Buck DC to DC Converter

XL1507

Ordering Information



| Order Information | Marking ID | Package Type | Packing Type Supplied As |
|-------------------|--------------|--------------|---------------------------|
| XL1507-ADJE1 | XL1507-ADJE1 | TO252-5L | 2500 Units on Tape & Reel |
| XL1507-5.0E1 | XL1507-5.0E1 | TO252-5L | 2500 Units on Tape & Reel |

XLSEMI Pb-free products, as designated with “E1” suffix in the par number, are RoHS compliant.

3A 150KHz 40V Buck DC to DC Converter

XL1507

Absolute Maximum Ratings (Note1)

| Parameter | Symbol | Value | Unit |
|---|------------|--------------------|-------|
| Input Voltage | V_{in} | -0.3 to 45 | V |
| Feedback Pin Voltage | V_{FB} | -0.3 to V_{in} | V |
| EN Pin Voltage | V_{EN} | -0.3 to V_{in} | V |
| Output Switch Pin Voltage | V_{SW} | -0.3 to V_{in} | V |
| Power Dissipation | P_D | Internally limited | mW |
| Thermal Resistance (TO252-5L) (Junction to Ambient, No Heatsink, Free Air) | R_{JA} | 50 | °C /W |
| Operating Junction Temperature | T_J | -40 to 125 | °C |
| Storage Temperature | T_{STG} | -65 to 150 | °C |
| Lead Temperature (Soldering, 10 sec) | T_{LEAD} | 260 | °C |
| ESD (HBM) | | 2000 | V |

Note1: Stresses greater than those listed under Maximum Ratings may cause permanent damage to the device. This is a stress rating only and functional operation of the device at these or any other conditions above those indicated in the operation is not implied. Exposure to absolute maximum rating conditions for extended periods may affect reliability.

3A 150KHz 40V Buck DC to DC Converter

XL1507

XL1507-5.0 Electrical Characteristics

T_a = 25°C; unless otherwise specified.

| Symbol | Parameter | Test Condition | Min. | Typ. | Max. | Unit |
|---|----------------|--|------|------|------|------|
| System parameters test circuit figure6 | | | | | | |
| V _{OUT} | Output Voltage | V _{in} = 7V to 40V I _{load} =0.2A to 3A | 4.8 | 5 | 5.2 | V |
| η | Efficiency | V _{in} =12V, V _{out} =5V I _{out} =3A | - | 80 | - | % |

XL1507-ADJ Electrical Characteristics

T_a = 25°C; unless otherwise specified.

| Symbol | Parameter | Test Condition | Min. | Typ. | Max. | Unit |
|---|----------------|--|-------|------|-------|------|
| System parameters test circuit figure7 | | | | | | |
| V _{OUT} | Output Voltage | V _{in} = 4.5V to 40V I _{load} =0.2A to 3A | 1.193 | 1.23 | 1.267 | V |
| η | Efficiency | V _{in} =12V, V _{out} =3V I _{out} =3A | - | 73 | - | % |

3A 150KHz 40V Buck DC to DC Converter

XL1507

Electrical Characteristics (DC Parameters)

$V_{in} = 12V$, $GND=0V$, V_{in} & GND parallel connect a 220uf/50V capacitor; $I_{out}=500mA$, $T_a = 25^{\circ}C$; the others floating unless otherwise specified.

| Parameters | Symbol | Test Condition | Min. | Typ. | Max. | Unit |
|------------------------------|-----------|--|------|------------|------|---------|
| Input operation voltage | V_{in} | | 4.5 | | 40 | V |
| Shutdown Supply Current | I_s | $V_{EN}=5V$ | | 80 | 200 | μA |
| Quiescent Supply Current | I_q | $V_{EN}=0V$, $V_{FB}=V_{in}$ | | 2 | 10 | mA |
| Oscillator Frequency | F_{osc} | | 127 | 150 | 173 | Khz |
| Switch Current Limit | I_L | $V_{FB}=0V$ | 3.6 | 4.8 | 6.9 | A |
| EN Pin Threshold | V_{EN} | High (Regulator OFF) Low (Regulator ON) | | 1.4 0.8 | | V |
| EN Pin Input Leakage Current | I_H | $V_{EN}=2.5V$ (OFF) | | 5 | 15 | μA |
| | I_L | $V_{EN}=0.5V$ (ON) | | 0.2 | 5 | μA |
| Output Saturation Voltage | V_{CE} | $V_{FB}=0V$ $I_{out}=3A$ | | 1.3 | 1.5 | V |
| Max. Duty Cycle | D_{MAX} | $V_{FB}=0V$ | | 100 | | % |

Test Circuit and Layout guidelines

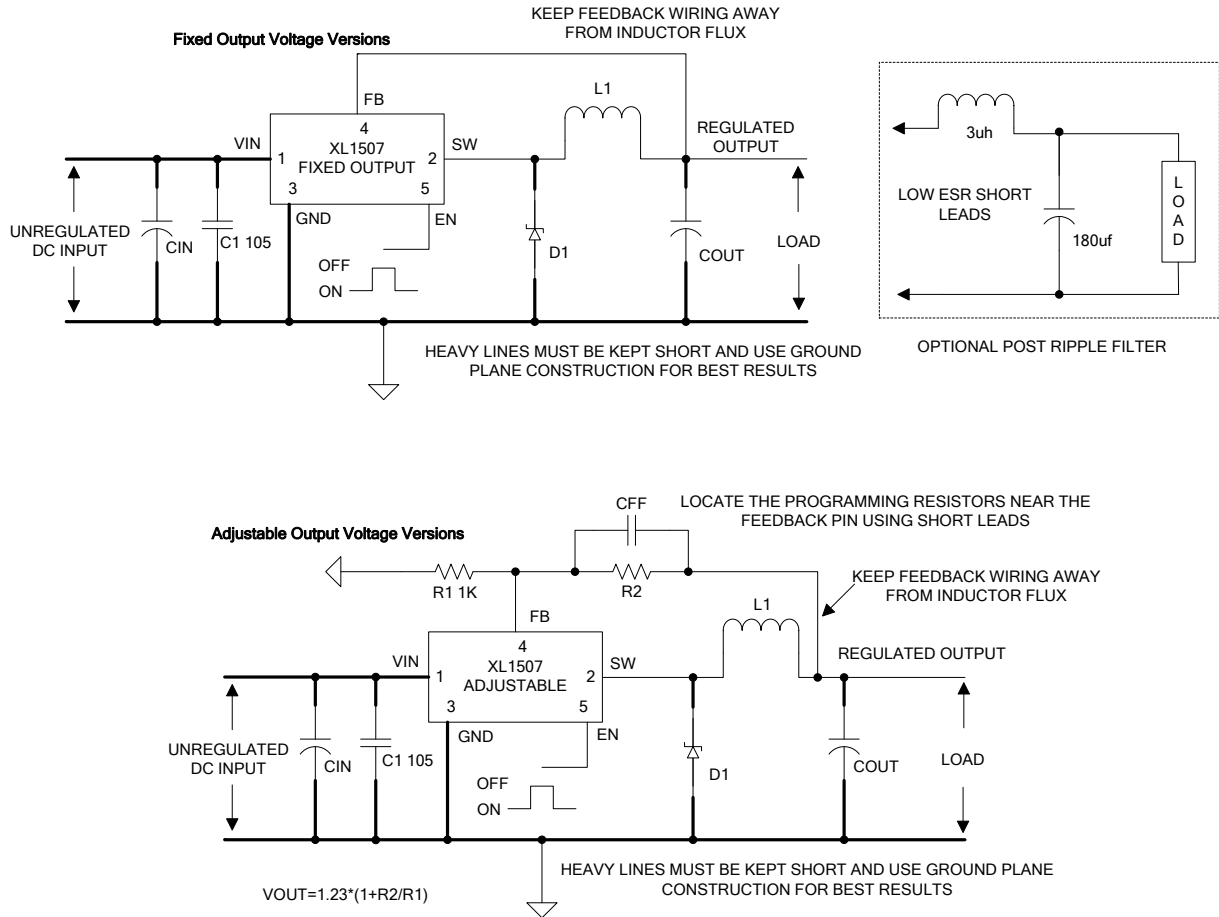


Figure 5. Standard Test Circuits and Layout Guides

Select R1 to be approximately 1K, use a 1% resistor for best stability.

C1 and CFF are optional; in order to increase stability and reduce the input power line noise, C1 must be placed near to PIN1 and PIN3;

For output voltages greater than approximately 10V, an additional capacitor CFF is required. The compensation capacitor is typically between 100 pf and 33 nf, and is wired in parallel with the output voltage setting resistor, R2. It provides additional stability for high output voltage, low input-output voltages, and/or very low ESR output capacitors, such as solid tantalum capacitors.

$CFF = 1 / (31 * 1000 * R2)$; This capacitor type can be ceramic, plastic, silver mica, etc. (Because of the unstable characteristics of ceramic capacitors made with Z5U material, they are not recommended.)

3A 150KHz 40V Buck DC to DC Converter

XL1507

XL1507 Series Buck Regulator Design Procedure (Fixed Output)

| Conditions | | | Inductor (L1) | Output Capacitor (COUT) | | | |
|--------------------|------------------|-----------------------|-----------------------------|-------------------------|---------------------------|-----------------------|----------------------------|
| Output Voltage (V) | Load Current (A) | Max Input Voltage (V) | | Inductance (uh) | Through Hole Electrolytic | | Surface Mount Tantalum |
| | | | Panasonic HFQ Series (uf/V) | | Nichicon PL Series (uf/V) | AVX TPS Series (uf/V) | Sprague 595D Series (uf/V) |
| 3.3 | 3 | 5 | 22 | 470/25 | 560/16 | 330/6.3 | 390/6.3 |
| | | 7 | 22 | 560/35 | 560/35 | 330/6.3 | 390/6.3 |
| | | 10 | 22 | 680/35 | 680/35 | 330/6.3 | 390/6.3 |
| | | 40 | 33 | 560/35 | 470/35 | 330/6.3 | 390/6.3 |
| | 2 | 6 | 22 | 470/25 | 470/35 | 330/6.3 | 390/6.3 |
| | | 10 | 33 | 330/35 | 330/35 | 330/6.3 | 390/6.3 |
| 40 | | 47 | 330/35 | 270/50 | 220/10 | 330/10 | |
| 5 | 3 | 8 | 22 | 470/25 | 560/16 | 220/10 | 330/10 |
| | | 10 | 22 | 560/25 | 560/25 | 220/10 | 330/10 |
| | | 15 | 33 | 330/35 | 330/35 | 220/10 | 330/10 |
| | | 40 | 47 | 330/35 | 270/35 | 220/10 | 330/10 |
| | 2 | 9 | 22 | 470/25 | 560/16 | 220/10 | 330/10 |
| | | 20 | 68 | 180/35 | 180/35 | 100/10 | 270/10 |
| 40 | | 68 | 180/35 | 180/35 | 100/10 | 270/10 | |
| 12 | 3 | 15 | 22 | 470/25 | 470/25 | 100/16 | 180/16 |
| | | 18 | 33 | 330/25 | 330/25 | 100/16 | 180/16 |
| | | 30 | 68 | 180/25 | 180/25 | 100/16 | 120/20 |
| | | 40 | 68 | 180/35 | 180/25 | 100/16 | 120/20 |
| | 2 | 15 | 33 | 330/25 | 330/25 | 100/16 | 180/16 |
| | | 20 | 68 | 180/25 | 180/25 | 100/16 | 120/20 |
| 40 | | 150 | 82/25 | 82/25 | 68/20 | 68/25 | |

3A 150KHz 40V Buck DC to DC Converter

XL1507

XL1507 Series Buck Regulator Design Procedure (Adjustable Output)

| Output Voltage (V) | Through Hole Output Electrolytic | | | Surface Mount Output Capacitor | | |
|--------------------|----------------------------------|---------------------------|-----------------------|--------------------------------|----------------------------|-----------------------|
| | Panasonic HFQ Series (uf/V) | Nichicon PL Series (uf/V) | Feedforward Capacitor | AVX TPS Series (uf/V) | Sprague 595D Series (uf/V) | Feedforward Capacitor |
| 2 | 820/35 | 820/35 | 33nf | 330/6.3 | 470/4 | 33nf |
| 4 | 560/35 | 470/35 | 10nf | 330/6.3 | 390/6.3 | 10nf |
| 6 | 470/25 | 470/35 | 3.3nf | 220/10 | 330/10 | 3.3nf |
| 9 | 330/25 | 330/25 | 1.5nf | 100/16 | 180/16 | 1.5nf |
| 12 | 330/25 | 330/25 | 1nf | 100/16 | 180/16 | 1nf |
| 15 | 220/25 | 220/35 | 680pf | 68/20 | 120/20 | 680pf |
| 24 | 220/35 | 150/35 | 560pf | 33/25 | 33/25 | 220pf |
| 28 | 100/50 | 100/50 | 390pf | 10/35 | 15/50 | 220pf |

Schottky Diode Selection Table

| Current | Surface Mount | Through Hole | VR (The same as system maximum input voltage) | | | | |
|---------|---------------|--------------|---|--------|--------|--------|--------|
| | | | 20V | 30V | 40V | 50V | 60V |
| 1A | | ✓ | 1N5817 | 1N5818 | 1N5819 | | |
| | | ✓ | 1N5820 | 1N5821 | 1N5822 | | |
| | | ✓ | MBR320 | MBR330 | MBR340 | MBR350 | MBR360 |
| | ✓ | | SK32 | SK33 | SK34 | SK35 | SK36 |
| | ✓ | | | 30WQ03 | 30WQ04 | 30WQ05 | |
| | | ✓ | | 31DQ03 | 31DQ04 | 31DQ05 | |
| 3A | | ✓ | SR302 | SR303 | SR304 | SR305 | SR306 |
| | | ✓ | 1N5823 | 1N5824 | 1N5825 | | |
| | | ✓ | SR502 | SR503 | SR504 | SR505 | SR506 |
| | | ✓ | SB520 | SB530 | SB540 | SB550 | SB560 |
| 5A | ✓ | | | 50WQ03 | 50WQ04 | 50WQ05 | |

Typical System Application for 5V Version

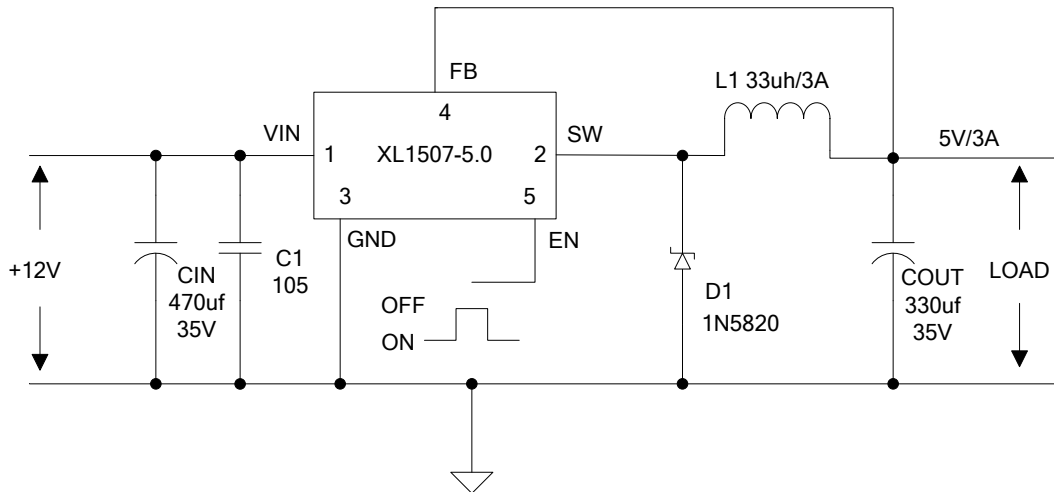


Figure6. XL1507-5.0 System Parameters Test Circuit

Typical System Application for ADJ Version

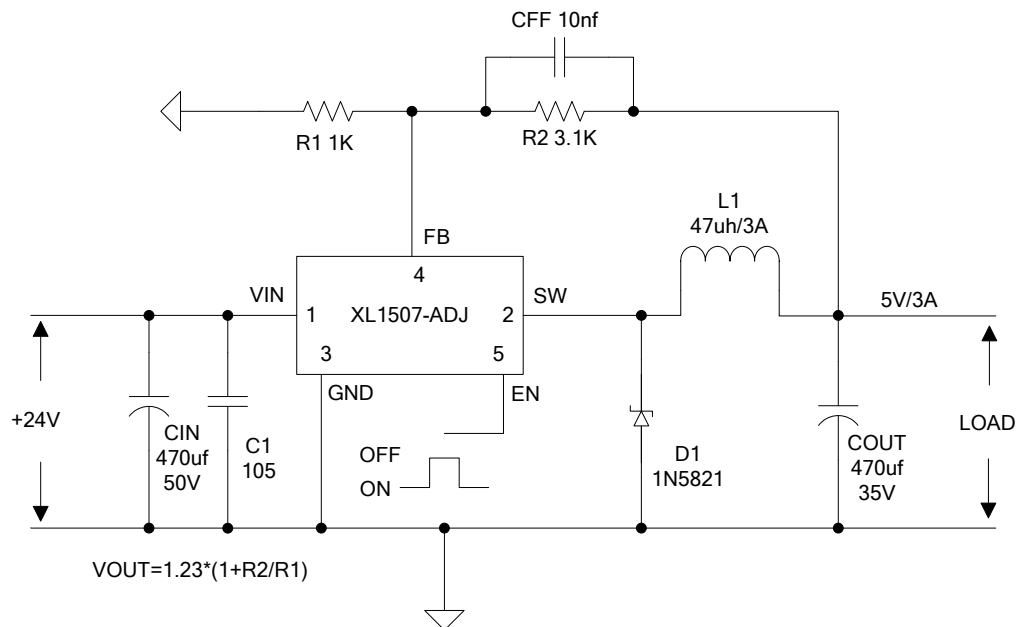
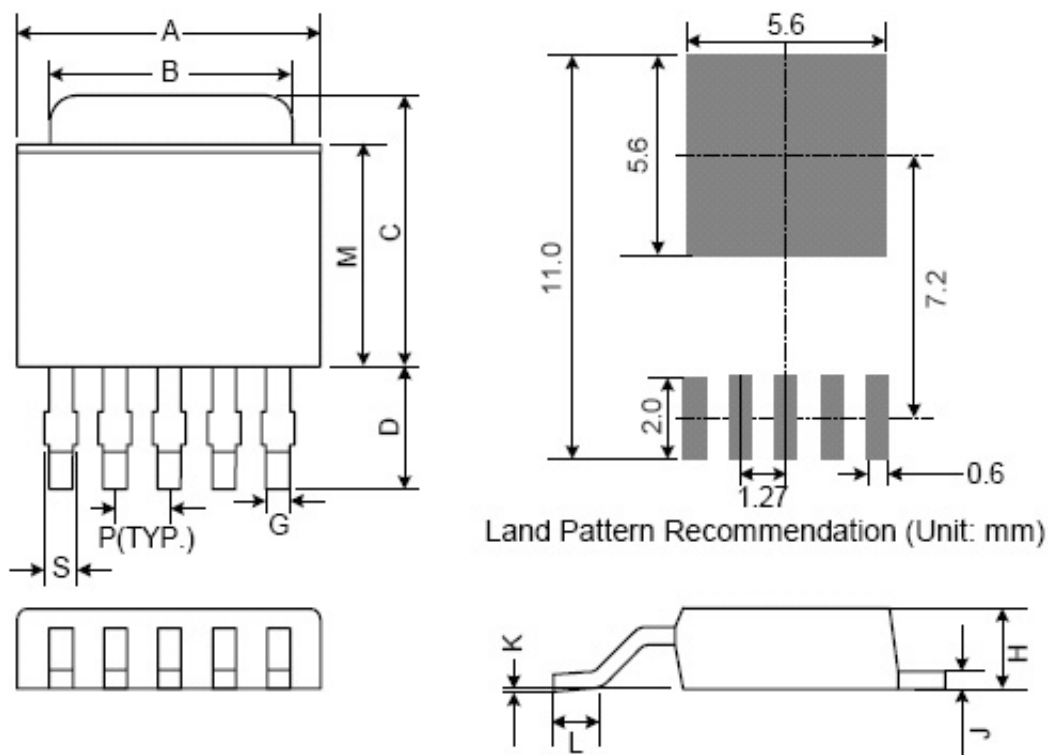


Figure7. XL1507-ADJ System Parameters Test Circuit

Package Information

TO252-5L



| Symbol | Dimensions In Millimeters | | | Dimensions In Inches | | |
|--------|---------------------------|------|------|----------------------|-------|-------|
| | Min. | Nom. | Max. | Min. | Nom. | Max. |
| A | 6.35 | 6.60 | 6.85 | 0.250 | 0.260 | 0.270 |
| B | 5.20 | 5.35 | 5.50 | 0.205 | 0.211 | 0.217 |
| C | 6.80 | 7.00 | 7.30 | 0.268 | 0.276 | 0.287 |
| D | 2.40 | 2.80 | 3.20 | 0.094 | 0.110 | 0.126 |
| P | 1.27 REF. | | | 0.05 REF. | | |
| S | 0.50 | 0.65 | 0.80 | 0.020 | 0.026 | 0.031 |
| G | 0.40 | 0.50 | 0.63 | 0.016 | 0.020 | 0.025 |
| H | 2.20 | 2.30 | 2.40 | 0.087 | 0.091 | 0.094 |
| J | 0.45 | 0.52 | 0.58 | 0.018 | 0.020 | 0.023 |
| K | 0.00 | 0.08 | 0.15 | 0.000 | 0.003 | 0.006 |
| L | 0.90 | 1.20 | 1.77 | 0.035 | 0.047 | 0.064 |
| M | 5.40 | 5.80 | 6.20 | 0.213 | 0.228 | 0.244 |

| | |
|---------------------------------------|--------|
| 3A 150KHz 40V Buck DC to DC Converter | XL1507 |
|---------------------------------------|--------|

Important Notice

XLSEMI reserve the right to make modifications, enhancements, improvements, corrections or other changes without notice at any time. XLSEMI does not assume any liability arising out of the application or use of any product described herein; neither does it convey any license under its patent rights, nor the rights of others. XLSEMI assumes no liability for applications assistance or the design of Buyers' products. Buyers are responsible for their products and applications using XLSEMI components. To minimize the risks associated with Buyers' products and applications, Buyers should provide adequate design and operating safeguards. XLSEMI warrants performance of its products to the specifications applicable at the time of sale, in accordance with the warranty in XLSEMI's terms and conditions of sale of semiconductor products. Testing and other quality control techniques are used to the extent XLSEMI deems necessary to support this warranty. Except where mandated by applicable law, testing of all parameters of each component is not necessarily performed.

For the latest product information, go to www.xlsemi.com.