

### Features

- Specially optimized for unipolar applications of magnetic axis keyboards
- Widelinear range:0.8V~2.09V@V<sub>DD</sub>=3.3V
- Low Operation Current: 1.2mA
- Wide Operating Voltage Range: 2.7V~6V
- Zero-point (No magnetic field) output voltage:2.09V@V<sub>DD</sub>=3.3V
- Sensitivity: 2.24mV/Gs@V<sub>DD</sub>=3.3V
- Linearity: ±1%
- Low noise output without external capacitor filtering
- Temperature Grade 2: -40°C to 105°C Ambient Operating Temperature Range
- Device HBM ESD Classification Level Class3A
- SOT23-3 package

### Applications

- Magnetic Axis Keyboards

### General Description

The XL41P is a linear Hall-effect sensor specifically engineered for magnetic axis keyboards, featuring low power consumption, wide operating voltage, and extended temperature range, with an output voltage varies proportionally with the strength of the induced magnetic field, and its linear output voltage range follows the variation of the power supply voltage. The XL41P's typical operating voltage is 3.3V, the default zero-point output voltage (without magnetic field) at V<sub>DD</sub>=3.3V is 2.09V, with low operation current, the operating temperature range supports -40°C~105°C.

The XL41P integrates high precision current source, temperature compensation module, Hall array, amplifier, driver module and other circuit modules, which provides high linearity and strong immunity to electromagnetic interference over the full voltage range and full temperature range.

### Typical application schematic

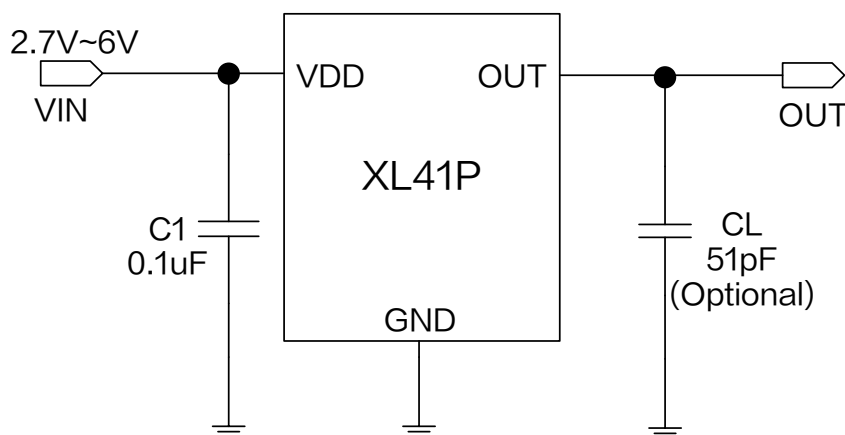


Figure1.XL41P Typical application schematic

Low Power Linear Hall Sensor

XL41P

## Pin Configurations

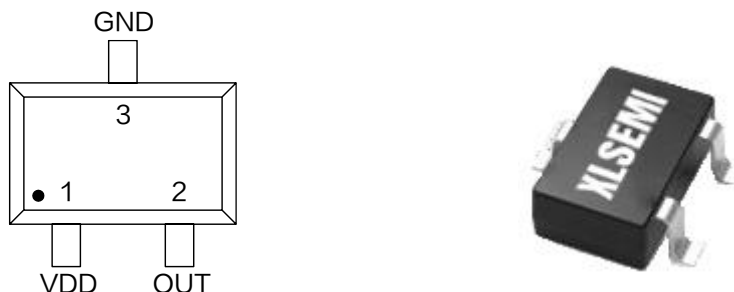


Figure2.Pin Configuration of XL41P

Table 1.Pin Description

Pin Number	Pin Name	Description
1	VDD	Supply Voltage Input Pin. XL41P operates from 2.7V to 6V DC voltage.
2	OUT	Output Pin.
3	GND	Ground pin.

## Ordering Information

Order Information	Marking ID	Package Type	Eco Plan	Packing Type Supplied As
XL41P	XL41P	SOT23-3	RoHS & HF	3000 Units Per Reel

### Function Block

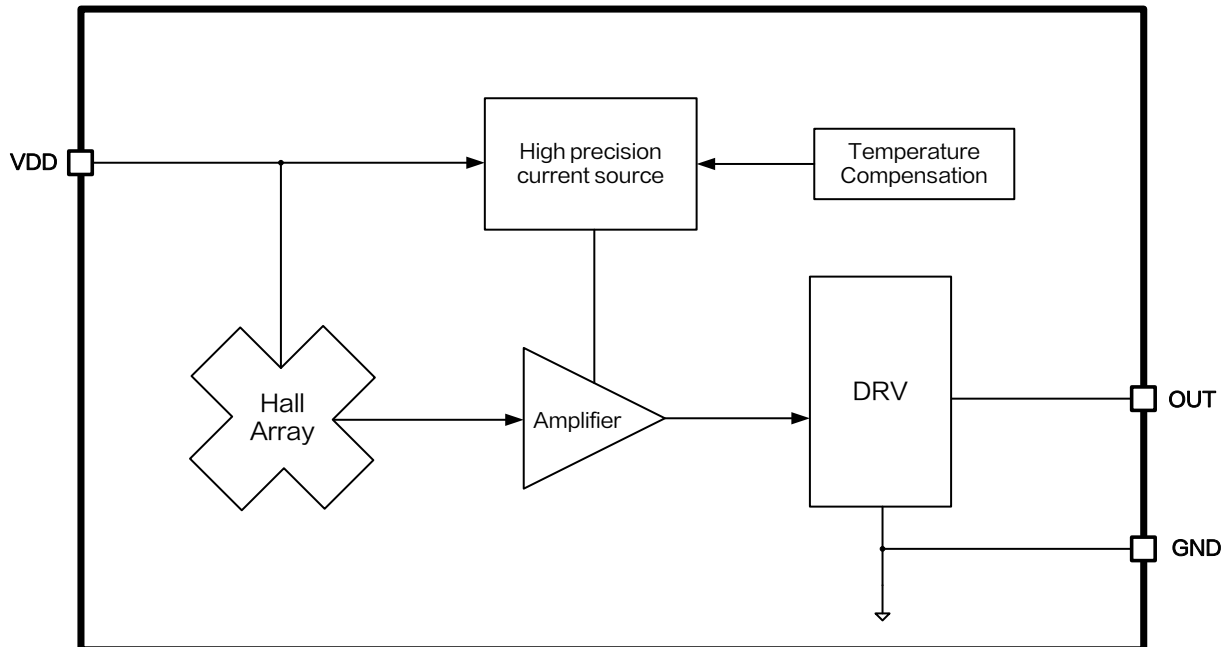


Figure3.Function Block Diagram of XL41P

### Absolute Maximum Ratings (Note 1)

Parameter	Symbol	Value	Unit
Input Pin Voltage	$V_{DD}$	-0.3 ~ 10	V
Output Pin Voltage	$V_{OUT}$	-0.3 ~ 10	V
Thermal Resistance (SOT23-3) (Junction to Ambient, No Heatsink, Free Air)	$R_{JA}$	200	°C/W
Operating Temperature	$T_A$	-40 ~ 105	°C
Operating Junction Temperature	$T_J$	-40 ~ 125	°C
Storage Temperature	$T_{STG}$	-65 ~ 150	°C
Lead Temperature (Soldering, 10 sec)	$T_{LEAD}$	260	°C
ESD (HBM)	-	≥5000	V

**Note 1:** Stresses greater than those listed under Maximum Ratings may cause permanent damage to the device. This is a stress rating only and functional operation of the device at these or any other conditions above those indicated in the operation is not implied. Exposure to absolute maximum rating conditions for extended periods may affect reliability.

## XL41P Electrical Characteristics (Note 2)

$T_A = 25^\circ\text{C}$ ,  $V_{DD} = 3.3\text{V}$ , system parameters test circuit figure1, unless otherwise specified.

Parameters	Symbol	Test Condition	Min.	Typ.	Max.	Unit
Operation Voltage	$V_{DD}$	–	2.7	3.3	6	V
Operation Current	$I_{DD}$	–	0.5	1.2	1.6	mA
Output Load Resistance	$R_L$	$B = -1000\text{Gs}$	20	–	–	k $\Omega$
Output Voltage Range	$V_{OUT(H)}$	$B = +1000\text{Gs}$ $V_{DD} = 3.3\text{V}$	2.45	2.5	–	V
		$B = +1000\text{Gs}$ $V_{DD} = 5.0\text{V}$	4.15	4.2	–	V
	$V_{OUT(L)}$	$B = -1000\text{Gs}$ $V_{DD} = 3.3\text{V}$	–	0.8	0.85	V
		$B = -1000\text{Gs}$ $V_{DD} = 5.0\text{V}$	–	0.8	0.85	V
Static Output Voltage	$V_{OUT(Q)}$	$B = 0\text{Gs}$ $V_{DD} = 3.3\text{V}$	1.944	2.09	2.236	V
		$B = 0\text{Gs}$ $V_{DD} = 5.0\text{V}$	–	3.14	–	V
Linearity	Lin	–	–1	–	1	%
Output Settling Time	–	$B = 0\text{Gs}$	–	2	–	$\mu\text{s}$
Output Noise	–	Bandwidth= 10Hz to 10kHz	–	2	–	mV

### Note 2:

(1) Linearity is the degree to which the static characteristic curve between the input and output quantities deviates from a straight line.

(2) The output settling time is the time interval from when the output voltage begins to establish until it stabilizes at 90% of the steady-state output voltage.

Low Power Linear Hall Sensor

XL41P

### XL41P Magnetic Characteristics (Note 3)

Parameters	Symbol	Test Condition	Min.	Typ.	Max.	Unit
Sensitivity	Sens	$V_{DD}=3.3V$	2.083	2.24	2.397	mV/Gs
		$V_{DD}=5.0V$	–	5.08	–	mV/Gs

#### Note 3:

(1) The magnetic South Pole (S) is defined as the positive magnetic field. The sensitivity in the table corresponds to measurements taken with the magnetic field perpendicular to the back side of the chip's marking surface.

(2) XL41P is optimized for unipolar applications of magnetic axis keyboards. When  $V_{DD}=3.3V$ , the sensitivity corresponding to output voltage is in the linear range of 0.8V~2.09V as shown in the table. When  $V_{DD}=5.0V$ , the sensitivity corresponding to output voltage is in the linear range of 0.8V~3.14V as shown in the table.

## Output Characteristics

$T_A = 25^\circ\text{C}$ , system parameters test circuit figure1, unless otherwise specified.

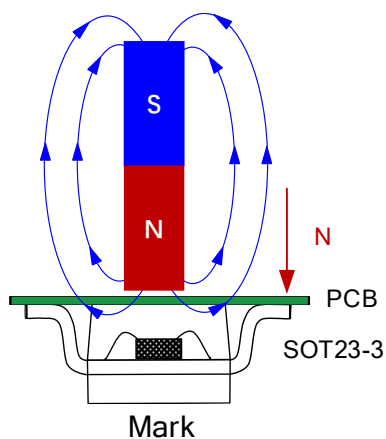


Figure4.Application diagram of XL41P

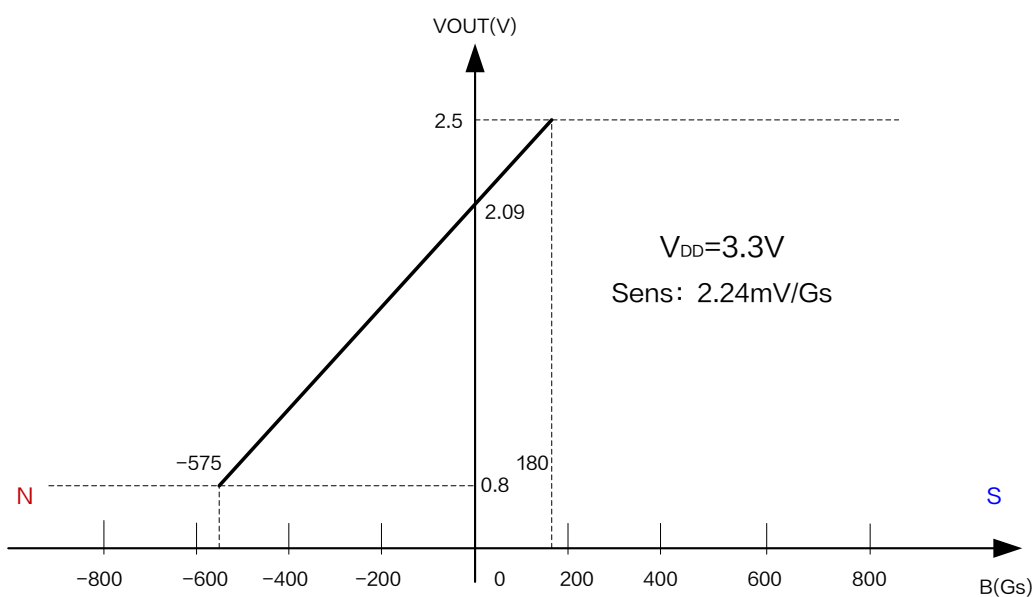


Figure5.XL41P Output characteristic curve (V<sub>DD</sub>=3.3V)

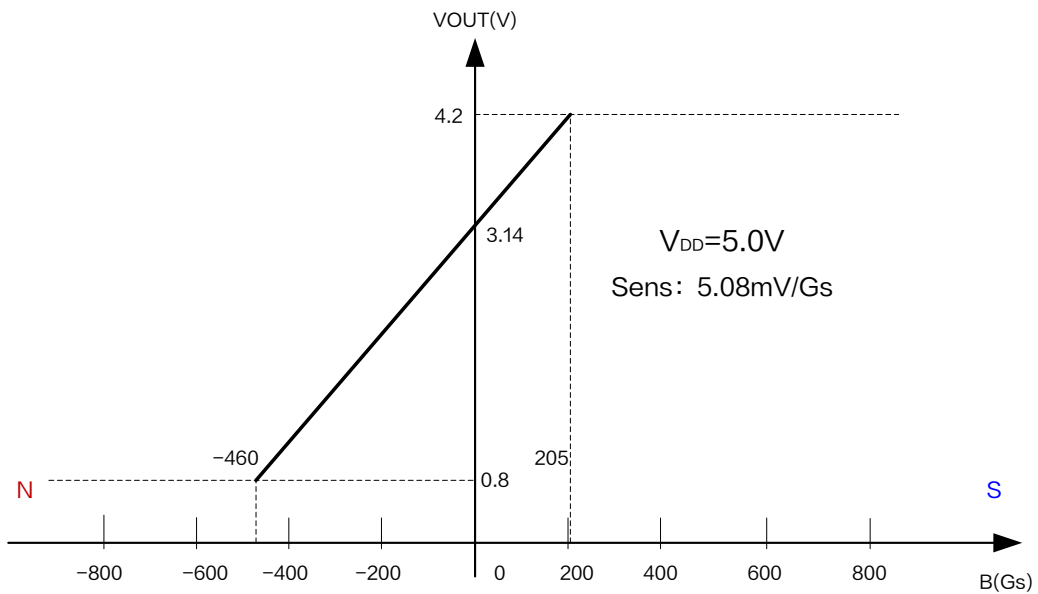


Figure6.XL41P Output characteristic curve ( $V_{DD}=5.0V$ )

**Note 4:** At room temperature, when  $V_{DD}=3.3V$ , the linear range of chip unipolar is 0.8V~2.09V; When  $V_{DD}=5.0V$ , the linear range of unipolar polarity of the chip is 0.8V~3.14V.

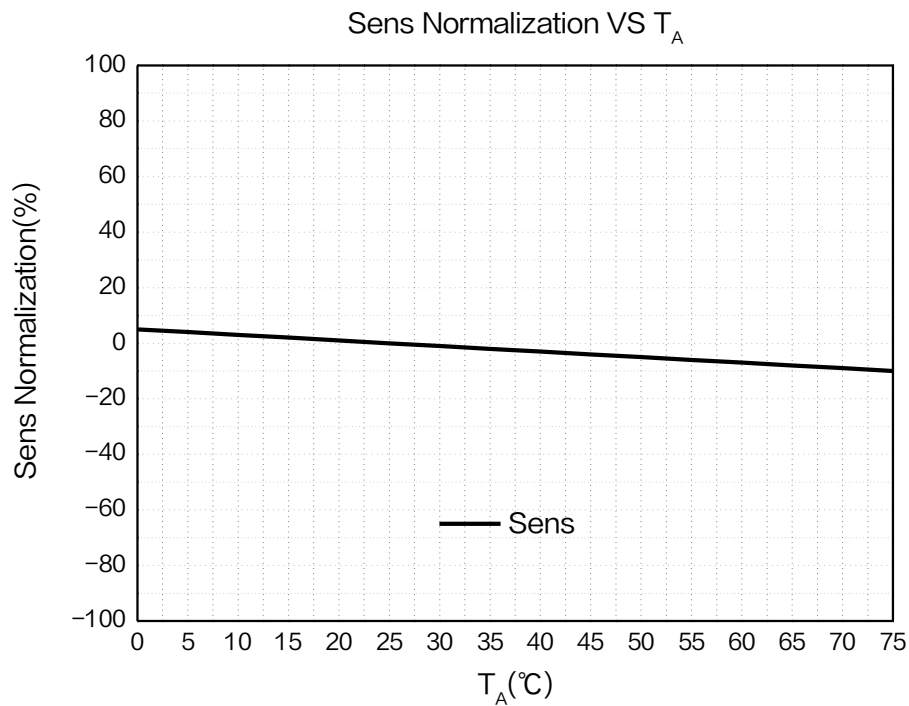
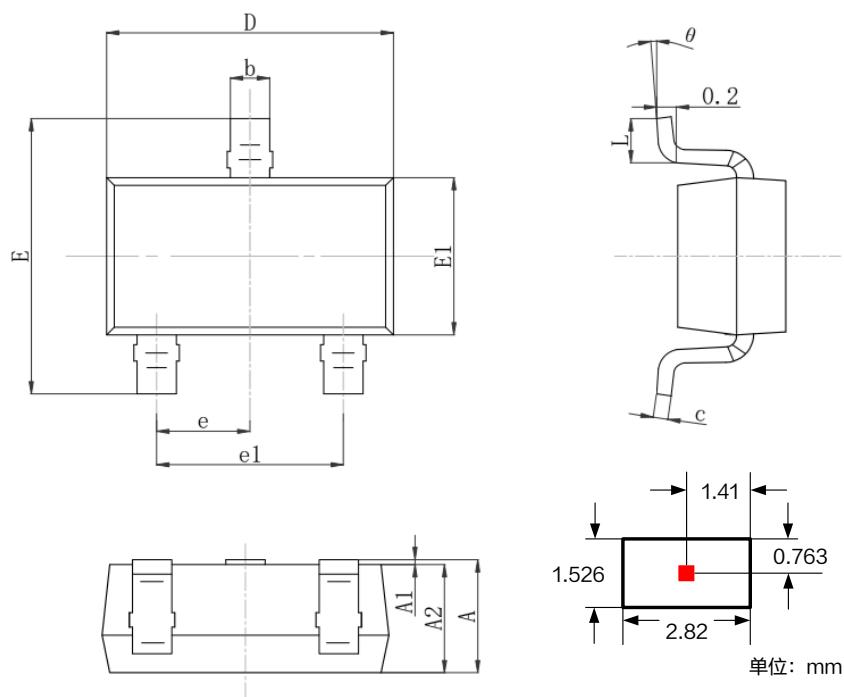


Figure7. Sensitivity versus temperature curve of XL41P ( $V_{DD}=3.3V$ )

### Package Information

#### SOT23-3



Symbol	Dimensions In Millimeters		Dimensions In Inches	
	Min.	Max.	Min.	Max.
A	1.000	1.350	0.039	0.053
A1	0.000	0.150	0.000	0.006
A2	1.000	1.200	0.039	0.047
b	0.300	0.500	0.012	0.020
c	0.100	0.200	0.004	0.008
D	2.820	3.050	0.111	0.120
E1	1.500	1.726	0.059	0.068
E	2.600	3.100	0.102	0.122
e	0.950 REF		0.037 REF	
e1	1.800	2.000	0.071	0.079
L	0.300	0.600	0.012	0.024
$\theta$	0°	8°	0°	8°

### Important Notice

XLSEMI reserve the right to make modifications, enhancements, improvements, corrections or other changes without notice at any time. XLSEMI does not assume any liability arising out of the application or use of any product described herein; neither does it convey any license under its patent rights, nor the rights of others. XLSEMI assumes no liability for applications assistance or the design of Buyers' products. Buyers are responsible for their products and applications using XLSEMI components. To minimize the risks associated with Buyers' products and applications, Buyers should provide adequate design and operating safeguards. XLSEMI warrants performance of its products to the specifications applicable at the time of sale, in accordance with the warranty in XLSEMI's terms and conditions of sale of semiconductor products. Testing and other quality control techniques are used to the extent XLSEMI deems necessary to support this warranty. Except where mandated by applicable law, testing of all parameters of each component is not necessarily performed.

For the latest product information, go to [www.xlsemi.com](http://www.xlsemi.com).